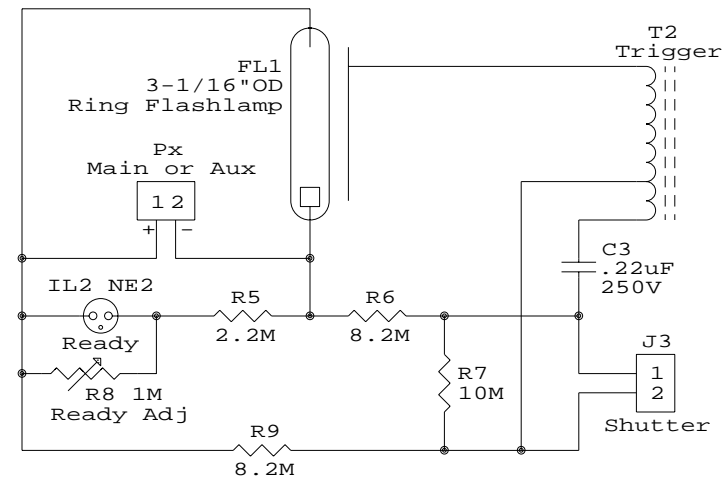


### Power Pack



### Flash Head

# Honeywell Prox-O-Lite Flash Unit

Notes:

1. Main: L=4.5 w-s, M=10 w-s, H=40 w-s.  
Aux: L=30 w-s, M=30 w-s, H=40 w-s.
2. Vadj set for 400 VDC on C1A/B/C.
3. Part numbers may not be same as on PCB.
4. All resistors 1/4 watt unless noted.

Redrawn by: Samuel M. Goldwasser		
sam@repairfaq.org		
Title Honeywell Prox-O-Lite Flash Unit		
Size	Document Number	REV
A	HWPL1-SCH	1.1
Date:	October 11, 2004	Sheet 1 of 1