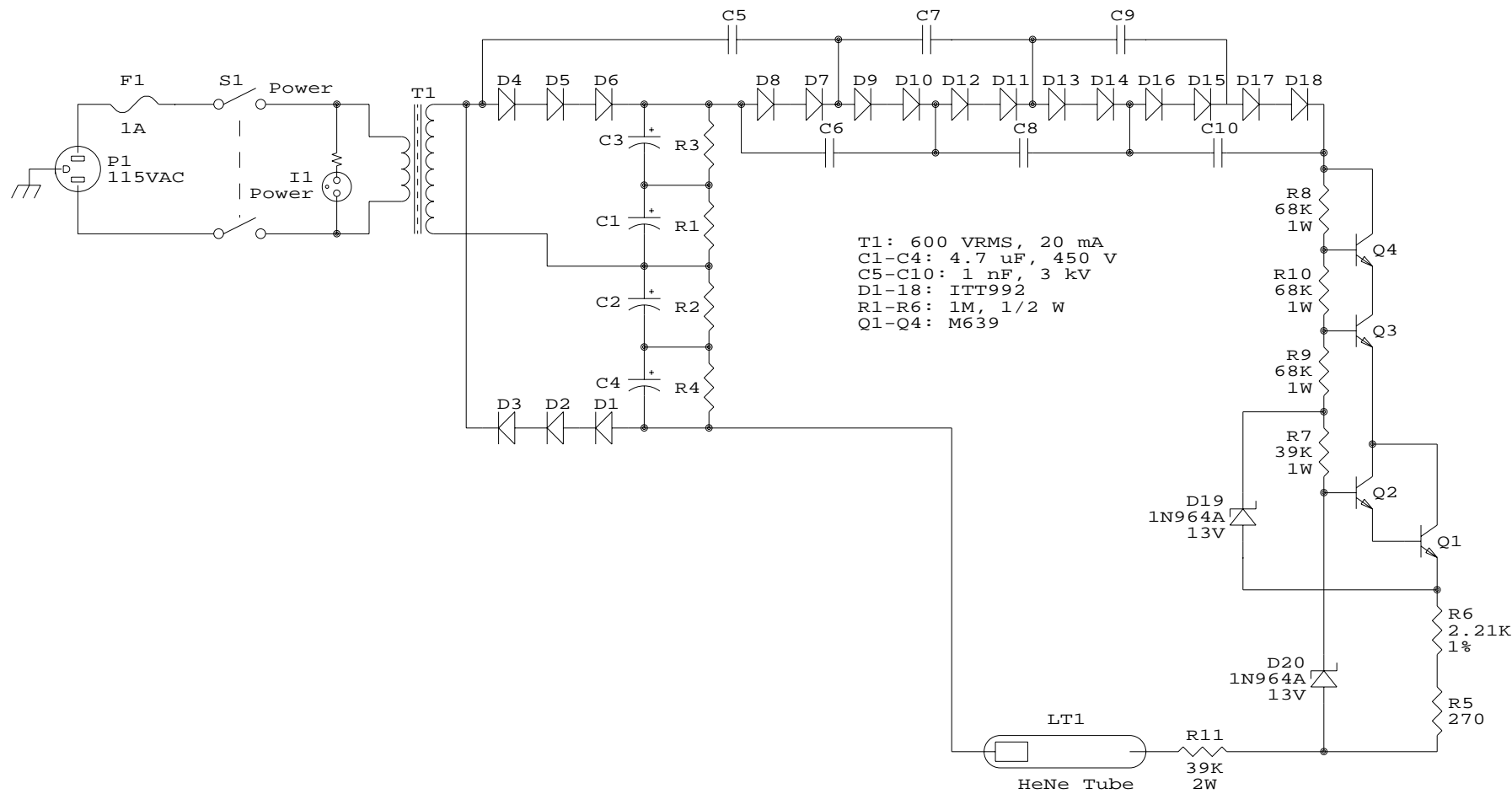


Metrologic ML620 HeNe Laser (ML-620)



$$\text{Current} = (13\text{V} - 1.4\text{V}) / (\text{R5} + \text{R6})$$

Drawn by: Sam Goldwasser sam@repairfaq.org		
Reverse Engineered by: Terrell E. Koken		
Title Metrologic ML620 HeNe Laser (ML-620)		
Size	Document Number	REV
A	ML-620-SCH	1.0
Date:	May 1, 2002	Sheet 1 of 1